

Reliability in Action

G9138H Grader

Gross Power: 148hp @ 2200 rpm

Operating Weight: 13000KG

CEV-IV Certified

Delivers speed & versatility



Technical Specifications

Standard Equipment

Engine	
Make	Weichai
Model	WP4.6NG150E501
Type	Electronically controlled CRDI engine
Engine exhaust after treatment	DOC + SCR + ASC
Gross power @rpm	148hp @ 2200 rpm
Working modes	4
Maximum torque Nm@rpm	640 @ 1400 to 1600 rpm
Cruise control	Standard

Transmission		
Make	ZF	
Model	6WG158	
Type	Fixed shaft power shift	
Torque converter type	Single stage single-phase three element	
Maximum Travel Speed km/hr	39	
Travel Speed km/h	Forward	Reverse
1st	4.8	4.8
2nd	8.5	10
3rd	10	24.5
4th	17	
5th	24.5	
6th	39	
Manual Over ride	Yes	
Max Gradeability	20°	

Rear Axle	
Make	SDLG
Ground clearance	400mm
Differential	No Spin

Tandem	
Make	SDLG
Oscilation	±15°

Front Axle	
Oscilation	±16 degree
Wheel Lean	±18 degree
Ground clearance	590 mm
Tyres	Type – Tube Type Size: 14.00-24 and 16PR
Optional Attachment	Front Dozer Blade
	Mid Mount Scarifier
	Rear Ripper
	Auto Blade Lift

Cabin	
Rops/Fops compliant	Standard
AC	Standard with dual filters
Operator seat	Mechanical suspension seat
Music system	MP3 Player with bluetooth mobile connection
Seat Belt	Standard

Machine Dimension (mm)	
Overall Length A	8380
Blade Base B	2250
Wheel Base C	6055
Tread Guage D	2070
Tread Width E	2410
Overall Height F	3220
Overall width	2580

Noise dB	
Operator ear level	78
Pass by	107

Mold Board Turn circle & Blade range	
Type	Dual Hydraulic cylinder
Circle pitch diameter	1375
Blade length	3657
Width	635
Height	482
Number of cutting edge	2

Blade side shift	
Right	500mm
Left	500mm
Maximum cutting angle (Left & Right)	90°
Maximum ground penetration	575mm
Maximum lift above ground	380mm
Mold Board tilt angle backward	5°
Mold board tiltangle forward	47°
Max traction force KN	76.6
Rotating Degree of Mold board	360
Blade down force Kgf	5729
Blade Base mm	2250
Max bank sloping angle	90
Blade impact protection	yes (relief valve)

Steering System	
Type	Load-sensing and hydraulic steering
Steering Angle	±50°
Pump Rated Flow	25ml/r*2200r/min
Rated Pressure	14MPa
Turning radius mm	6500
Number of cylinders	2

Articulation	
Articulation angle	±25
Articulation control	Hydraulically controlled

Brake	
Type	1.Service brake: MICO single-circuit system with nitrogen charged accumulators. Outboard mounted hydraulically operated.
Parking Brake	Mechanical control on transmission

System refill capacity (litres) & Interval (Hrs)	Tank Capacity	Refil Interval
Fuel	380	
Adblue	35	
Engine coolant	28	2000
Engine oil	12	500
Transmission oil	28	1000
Rear Axle	23	1000
Tandem	23*2	1000
Hydraulic oil volume in tank	88	2000

Standard Equipment

Electrical System

Power	24V
Batteries	2

Hydraulic System

Type	Opened hydraulic system
Pump	Gear pump
Rated Flow	25ml/r*2200r/min
Rated Pressure	18±0.35MPa
Control Valve	9 Sections

Frame

Type	2 part articulated Box frame
------	------------------------------

Drawbar

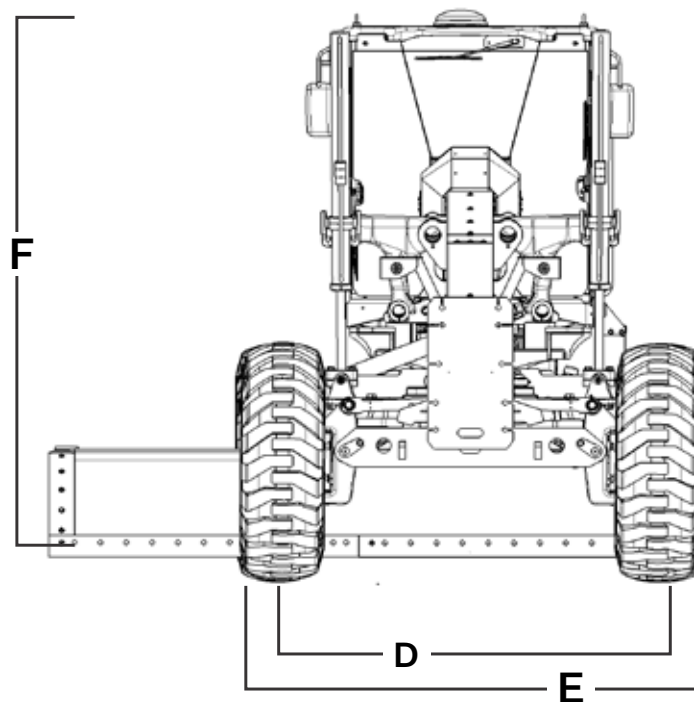
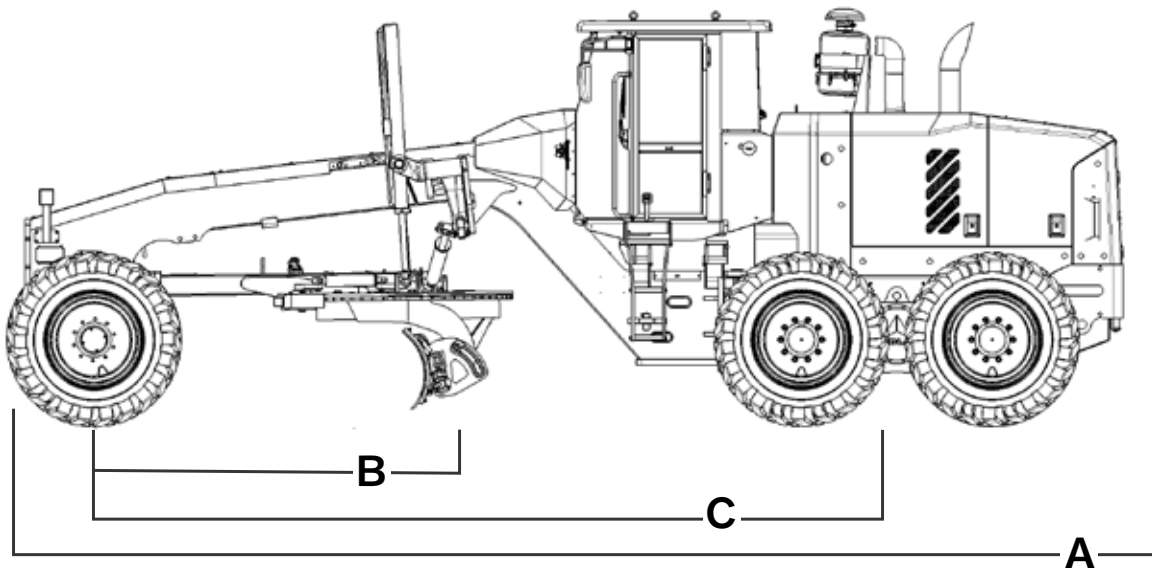
Type	A Frame welded structure
------	--------------------------

Operating Weight kg

Front Axle	3600
Rear Axle	9400
Total Machine	13000

Dimensions G9138

A. Overall length	8120mm
B. Blade base	2250mm
C. Wheel base	6040mm
D. Width - Front tire centre lines	2500mm
E. Width- Outside tyres	2410mm
F. Overall height	3200mm



SDLG Dealer Network

India

Advanced Construction Technologies Pvt. Ltd.

Tamil Nadu, Union Territories of Andaman
Nicobar Islands, Pondicherry and Lakshadweep
Dealer Partner: Mr. Siddharth Raman
Ph: +91 98847 57350
Email: siddharth.raman@actind.com

Alpha Teknisk Pvt. Ltd.

Delhi-NCR, Haryana, Uttarakhand
Dealer Partner: Mr. Manoj Kotru
Ph: +91 98110 23172
Email: m.kotru@alphatechnical.in

Alpha Teknisk Pvt. Ltd.

Uttar Pradesh
Dealer Partner: Mr. Sarthak Kotru
Ph: +91 98733 25118
Email: sarthak@alphatechnical.in

BSES India Pvt. Ltd.

Southern Rajasthan
Dealer Partner: Mr. Kedar Singh Rathore
Ph: +91 98290 41246
Email: ksathore@bsesindia.com

DRS Earthwork Pvt. Ltd.

Northern Maharashtra
Dealer Partners: Mr. Divish Sabhlok
Ph: +91 98997 93431
Email: divish.sabhlok@drsgroupindia.com

Encore Heavy Machinery Pvt. Ltd.

Karnataka
Dealer Partner: Mr. Vinayak Nayak
Ph: +91 80 29734009, +91 78999 03813
Email: vinayak@encorece.in

ESDEE Solutech

Northern Rajasthan
Dealer Partner: Mr. O P Dawar
Ph: +91 96360 76000
Email: op.dawar@esdeesolutech.net

Infra Equip Pvt. Ltd

Jharkhand
Dealer Partner: Mr. Dinesh Pandey
Mr. Naren Pandey
Ph: +91 94711 91178, +91 62068 03435,
+91 97714 72300, +91 70701 92510
Email: dineshpandey@infraequip.com
npandey@infraequip.com

Navin Infrasolutions Pvt. Ltd.

Madhya Pradesh
Dealer Partners: Mr. Navin Bhandari
Ms. Seema Bhandari
Mr. Nilesh Bhandari
Ph: +91 93000 77300, +91 93025 55002,
+91 930247 7346, +91 93000 77308
Email: navinbhandari@navininfra.com
salesco@navininfra.com
nileshbhandari@navininfra.com

PACT Machines Pvt. Ltd.

Kerala
Dealer Partner: Mr. Siddharth Raman
Ph: +91 99959 22350
Email: siddharth.raman@actind.com

PAL Infrastructure Solutions

Jammu & Kashmir, Himachal Pradesh,
Punjab and Chandigarh
Dealer Partner: Mr. Nishant Luthra
Ph: +91 98110 42580
Email: nishantluthra@luthragroup.net

Pollutech Engineering

Orissa
Dealer Partner: Mr. Dilip Tripathy
Ph: +91 95830 72667, +91 77350 65864
Email: dilip@pollutech.in

Ramanand Power Systems Pvt. Ltd.

Telangana and Andhra Pradesh
Dealer Partner: Mr. Rama Rao
Mr. Anand
Mr. Nagarjuna Mandava
Ph: +91 98451 50173, 94920 54224
+91 99909 75051
Email: sreeram@ramanand.co.in
anand@ramanand.co.in
nagarjuna@ramanand.co.in

Suchita Millennium Projects Pvt. Ltd.

West Bengal, Sikkim and Bihar
Dealer Partner: Mr. Raghupati Bhuwarka
Ph: +91 33 2219 7951, 7952/ 3183
Email: raghupatibhuwarka@suchitagroup.com

Suchita Earth Moving Solutions

Assam, Tripura, Meghalaya, Nagaland, Mizoram,
Arunachal Pradesh and Manipur
Dealer Partner: Ms. Amita Bhuwarka
Ph: +91 99540 89208
Email: amitabhhuwarka@suchitagroup.com

SVP Mining Technologies Pvt. Ltd.

Chattisgarh
Dealer Partner: Mr. Pramood Patwardhan
Ph: +91 84350 05500
Email: pramod@svpgroup.net

Team Engineers

Southern Maharashtra and Goa
Dealer Partners: Mr. Ajit Bafna
Mr. Shridhar Bhat
Mr. Anand Rajore
Ph: +91 93701 45680, +91 93701 45660,
+91 98220 33202
Email: ajit@teamengineers.co.in
srb@teamengineers.co.in /
anand.rajore@teameng.co.in

West India Equipments Pvt. Ltd.

Gujarat, Dadra & Nagar Haveli and
Daman & Diu
Dealer Partner: Mr. Jesal Vora
Ph: +91 98256 09097, +91 98795 35995
Email: jesal@westindiaequip.com

International

Solution Engineering Ltd.

Bangladesh
Dealer Partner:
Mr. Rashed Chowdhury
Ph: +880 18193 12618
Email:
rashed.chowdhury@sel-pti.com.bd

Riwang Heavy Equipment and Services




Bhutan
Dealer Partner:
Mr. Rinzy Wangchuk
Ph: +97 517111965
Email: rinzy@riwangs.com

Dax Engineering Co. (Pvt) Ltd.

Sri Lanka
Dealer Partner:
Mr. Wijayasinghe SS
Ph: +94 714273900 /
+94 714273920
Email: wije@daxholdings.lk

Explore Earth Movers Pvt. Ltd.

Nepal
Dealer Partner:
Mr. Sushil Shrestha
Ph: +977 985 1107251
Email: sushil@exploreintl.com

Connect with us on:  
Whatsapp:  +91 72590 13677

Toll Free: 1800-108-6856
www.sdlgindia.com

Member of The Volvo Group

