

Reliability in Action

G9190H Grader

Gross Power: 197hp @ 2200rpm

Operating Weight: 15800KG

CEV-IV Certified

Built for heavy duty applications



Technical Specifications

Standard Equipment

Engine	
Make	Weichai
Model	WP7G200E501
Type	Electronically controlled CRDI engine
Engine exhaust after treatment	DOC + SCR + ASC
Gross power hp@rpm	197hp @ 2200 rpm
Working modes	4
Maximum torque Nm@rpm	900 Nm @ 1400 to 1600 rpm
Cruise control	Standard
Powertrain	

Transmission		
Make	ZF	
Model	6WG200	
Type	Fixed shaft power shift	
Torque converter type	Single stage single-phase three element	
Travel Speed km/hr	40	
Travel Speed km/h	Forward	Reverse
1st	5	5
2nd	8.5	11.5
3rd	11.5	25
4th	20	
5th	25	
6th	40	
Manual Over ride	Yes available	
Max Gradeability	20 degree	

Rear Axle	
Make	SDLG
Ground clearance	430mm
Differential	No Slip

Tandem	
Make	SDLG
Oscilation	±15 degree

Front Axle	
Oscilation	±16 degree
Wheel Lean	±18 degree
Ground clearance	610 mm

Tyres	Type – Tube Type Size: 17.5-25 Ply Rating: 16PR
	Front Dozer Blade
	Mid Mount Scarifier
	Rear Ripper
	Auto Blade Lift

Cabin	
Rops/Fops compliant	Standard
AC	Standard with dual filters
Operator seat	Mechanical suspension seat
Music system	MP3 Player with bluetooth mobile connection
Seat Belt	Standard

Machine Dimension (mm)	
Overall Length A	9095
Blade Base B	2569
Wheel Base C	6450
Tread Guage D	2260
Tread Width E	2710
Overall Height F	3200
Overall width	2170

Noise dB	
Operator ear level	74
Pass by	107

Mold Board Turn circle & Blade range	
Type	Dual Hydraulic cylinder
Circle pitch diameter	1626
Drive	Double-Piston drive

Blade Dimesnion mm	
Blade length	3657
Width	635
Height	559
Number of cutting edge	2

Blade side shift mm	
Right	673
Left	673
Maximum cutting angle (Left & Right)	90 degree
Maximum ground penetration	787
Maximum lift above ground	445
Mold Board tilt angle backward	5 degee
Mold board tiltangle forward	47 degee
Max traction force KN	82
Rotating Degree of Mold board	360
Blade down force Kgf	7811
Max bank sloping angle	90
Blade impact protection	yes (relief valve)

Steering System	
Type	Load-sensing and hydraulic steering
Steering Angle	±50°
Pump Rated Flow	75ml/r*2200r/min
Rated Pressure	14MPa
Turning radius mm	7600mm
Number of cylinders	2

Articulation	
Articulation angle	±23
Articulation control	Hydraulically Controlled
Frame	
Type	2 part articulated Box frame

Brake		
Type	1. Service brake: MICO single-circuit system with nitrogen charged accumulators.	
Parking Brake	Mechanical control on transmission	
System refill capacity (litres) & Interval Hrs	Tank Capacity	Refill Interval
Fuel	375	
Adblue	35	
Engine coolant	30	2000
Engine oil	22	500
Transmission oil	28	1000
Rear Axle	23	1000
Tandem	23*2	1000
Hydraulic oil volume in tank	132	2000

Standard Equipment

Electrical System

Power	24V
Batteries	2

Hydraulic System

Type	Opened hydraulic system
Pump	Gear pump
Rated Flow	25ml/r*2200r/min
Rated Pressure	18±0.35MPa
Control Valve	9 Sections

Frame

Type	2 part articulated Box frame
------	------------------------------

Drawbar

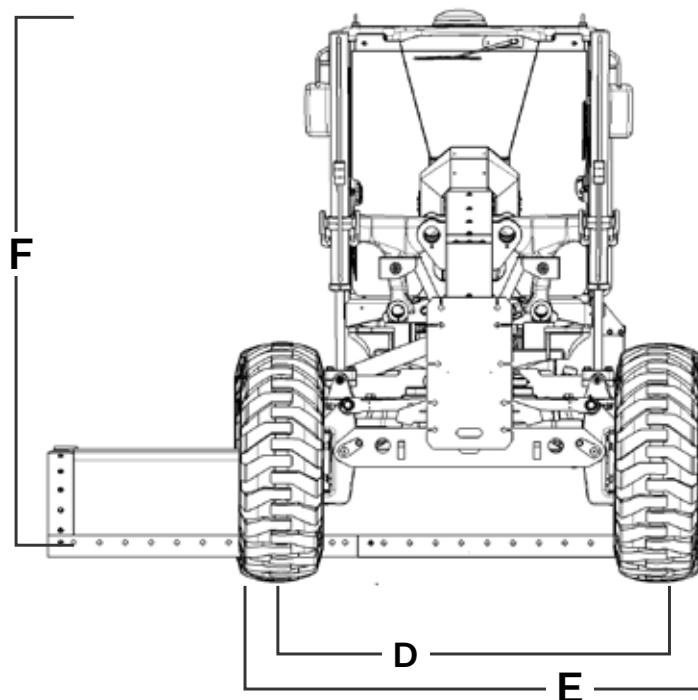
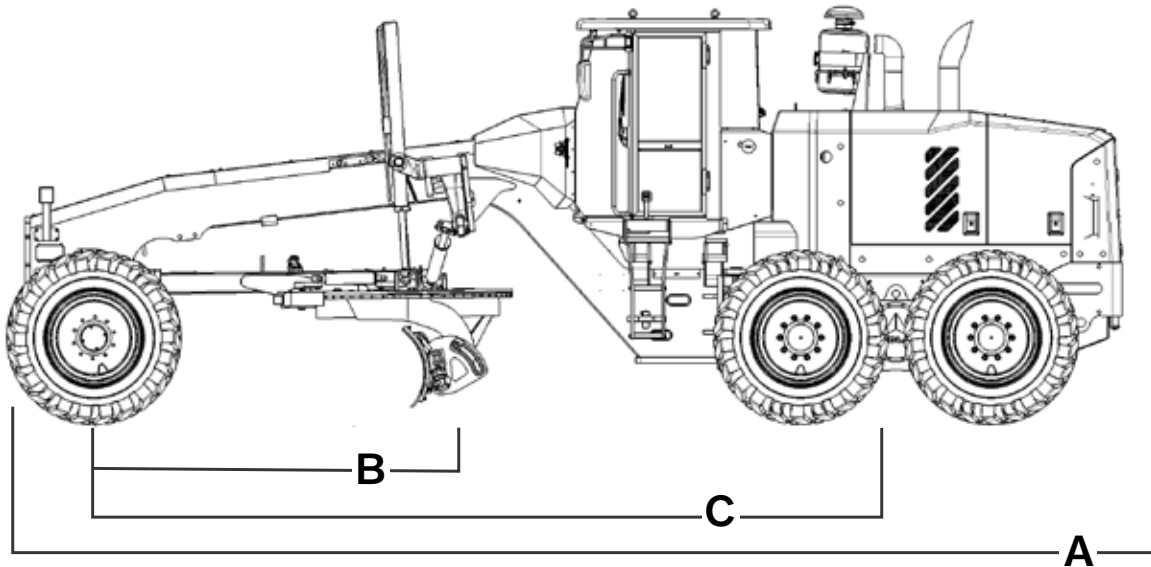
Type	A Frame welded structure
------	--------------------------

Operating Weight kg

Front Axle	3600
Rear Axle	9400
Total Machine	13000

Dimensions G9138

A. Overall length	8120mm
B. Blade base	2250mm
C. Wheel base	6040mm
D. Width - Front tire centre lines	2500mm
E. Width- Outside tyres	2410mm
F. Overall height	3200mm



SDLG Dealer Network

India

Advanced Construction Technologies Pvt. Ltd.

Tamil Nadu, Union Territories of Andaman
Nicobar Islands, Pondicherry and Lakshadweep
Dealer Partner: Mr. Siddharth Raman
Ph: +91 98847 57350
Email: siddharth.raman@actind.com

Alpha Teknisk Pvt. Ltd.

Delhi-NCR, Haryana, Uttarakhand
Dealer Partner: Mr. Manoj Kotru
Ph: +91 98110 23172
Email: m.kotru@alphatechnical.in

Alpha Teknisk Pvt. Ltd.

Uttar Pradesh
Dealer Partner: Mr. Sarthak Kotru
Ph: +91 98733 25118
Email: sarthak@alphatechnical.in

BSES India Pvt. Ltd.

Southern Rajasthan
Dealer Partner: Mr. Kedar Singh Rathore
Ph: +91 98290 41246
Email: ksathore@bsesindia.com

DRS Earthwork Pvt. Ltd.

Northern Maharashtra
Dealer Partners: Mr. Divish Sabhlok
Ph: +91 98997 93431
Email: divish.sabhlok@drsgroupindia.com

Encore Heavy Machinery Pvt. Ltd.

Karnataka
Dealer Partner: Mr. Vinayak Nayak
Ph: +91 80 29734009, +91 78999 03813
Email: vinayak@encorece.in

ESDEE Solutech

Northern Rajasthan
Dealer Partner: Mr. O P Dawar
Ph: +91 96360 76000
Email: op.dawar@esdeesolutech.net

Infra Equip Pvt. Ltd

Jharkhand
Dealer Partner: Mr. Dinesh Pandey
Mr. Naren Pandey
Ph: +91 94711 91178, +91 62068 03435,
+91 97714 72300, +91 70701 92510
Email: dineshpandey@infraequip.com
npandey@infraequip.com

Navin Infrasolutions Pvt. Ltd.

Madhya Pradesh
Dealer Partners: Mr. Navin Bhandari
Ms. Seema Bhandari
Mr. Nilesh Bhandari
Ph: +91 93000 77300, +91 93025 55002,
+91 930247 7346, +91 93000 77308
Email: navinbhandari@navininfra.com
salesco@navininfra.com
nileshbhandari@navininfra.com

PACT Machines Pvt. Ltd.

Kerala
Dealer Partner: Mr. Siddharth Raman
Ph: +91 99959 22350
Email: siddharth.raman@actind.com

PAL Infrastructure Solutions

Jammu & Kashmir, Himachal Pradesh,
Punjab and Chandigarh
Dealer Partner: Mr. Nishant Luthra
Ph: +91 98110 42580
Email: nishantluthra@luthragroup.net

Pollutech Engineering

Orissa
Dealer Partner: Mr. Dilip Tripathy
Ph: +91 95830 72667, +91 77350 65864
Email: dilip@pollutech.in

Ramanand Power Systems Pvt. Ltd.

Telangana and Andhra Pradesh
Dealer Partner: Mr. Rama Rao
Mr. Anand
Mr. Nagarjuna Mandava
Ph: +91 98451 50173, 94920 54224
+91 99909 75051
Email: sreeram@ramanand.co.in
anand@ramanand.co.in
nagarjuna@ramanand.co.in

Suchita Millennium Projects Pvt. Ltd.

West Bengal, Sikkim and Bihar
Dealer Partner: Mr. Raghupati Bhuwarka
Ph: +91 33 2219 7951, 7952/ 3183
Email: raghupatibhuwarka@suchitagroup.com

Suchita Earth Moving Solutions

Assam, Tripura, Meghalaya, Nagaland, Mizoram,
Arunachal Pradesh and Manipur
Dealer Partner: Ms. Amita Bhuwarka
Ph: +91 99540 89208
Email: amitabhhuwarka@suchitagroup.com

SVP Mining Technologies Pvt. Ltd.

Chattisgarh
Dealer Partner: Mr. Pramood Patwardhan
Ph: +91 84350 05500
Email: pramod@svpgroup.net

Team Engineers

Southern Maharashtra and Goa
Dealer Partners: Mr. Ajit Bafna
Mr. Shridhar Bhat
Mr. Anand Rajore
Ph: +91 93701 45680, +91 93701 45660,
+91 98220 33202
Email: ajit@teamengineers.co.in
srb@teamengineers.co.in /
anand.rajore@teameng.co.in

West India Equipments Pvt. Ltd.

Gujarat, Dadra & Nagar Haveli and
Daman & Diu
Dealer Partner: Mr. Jesal Vora
Ph: +91 98256 09097, +91 98795 35995
Email: jesal@westindiaequip.com

International

Solution Engineering Ltd.

Bangladesh
Dealer Partner:
Mr. Rashed Chowdhury
Ph: +880 18193 12618
Email:
rashed.chowdhury@sel-pti.com.bd

Riwang Heavy Equipment and Services




Bhutan
Dealer Partner:
Mr. Rinzy Wangchuk
Ph: +97 517111965
Email: rinzy@riwangs.com

Dax Engineering Co. (Pvt) Ltd.

Sri Lanka
Dealer Partner:
Mr. Wijayasinghe SS
Ph: +94 714273900 /
+94 714273920
Email: wije@daxholdings.lk

Explore Earth Movers Pvt. Ltd.

Nepal
Dealer Partner:
Mr. Sushil Shrestha
Ph: +977 985 1107251
Email: sushil@exploreintl.com

Connect with us on:  
Whatsapp:  +91 72590 13677

Toll Free: 1800-108-6856
www.sdlgindia.com

Member of The Volvo Group

