

Reliability in Action

# L933H Wheel Loader

Absolute value  
for investment.

Gross Power: 132HP@2150rpm

Operating Weight: 10586KG

Payload: 3000KG

CEV-IV Certified



Member of The Volvo Group



# Technical Specifications

## Standard Equipment

Engine	
Make	WEICHAI
Model	WP4.6NG135E501
Type	Electronically controlled CRDI engine
Gross Power hp@2150rpm	132
Maximum Torque Nm@1400rpm	610
Engine exhaust after treatment	DSC + SCR + ASC
Working Modes	3

Transmission	
Make	Shantui
Model	Fixed Shaft 4F/2R
Torque Converter	Single phase, 3 elements, twin turbine, hydraulic converter
Travel Speed km/hr	Forward Reverse
1 <sup>st</sup> gear	0~8 0~ 10
2 <sup>nd</sup> gear	0~14 0~ 32
3 <sup>rd</sup> gear	0~ 27
4 <sup>th</sup> gear	0~ 41

Axles	
Make	SDLG make with Dry Disc brakes
Front	AL20 series Heavy Duty axles with the 20T carrying capacity
Rear	AL20 series Heavy Duty axles with the 20T carrying capacity

Hydraulic system	
Loader Hydraulic operation	Pilot operated with single Joystick
Pilot System working pressure	3.5MPa
Loader Arm Linkage	Z Bar
Main Pump Type	Gear Pump
Maximum Flow ltrs/min	220L/min
System working pressure Mpa	16

Hydraulic Cycle Time Sec	
Lifting Time (fully loaded)	5.2
Lowering Time (empty)	3
Dumping Time (Empty)	0.8
Total	9

Steering System	
Type	Gear pump Full hydraulic load sensing, articulated steering
Working pressure Mpa	14
Maximum Flow	287 ltr/min

Service & Maintenance	
Air-filter	Dual Air Filters with Turbo Precleaner
Fuel Filters	2
Water Separator	1 with electrical priming motor
Hydraulic Filter	1
Transmission filter	1

Optional Attachments	
HD Bucket m <sup>3</sup>	1.5
LM Bucket m <sup>3</sup>	3
Side Dump Bucket m <sup>3</sup>	NA
Log Grapple	Available
Pallet Fork	Available
Pre Cleaner	Oil bath pre cleaner

Brake System	
Service brake	Air over Hydraulic Disc Brakes with single brake pedal
Parking brake	Mechanically operated caliper disc brake

Tyres	
Front	Size 17.5X25 L3
Rear	17.5X25 L3

System refill capacity (L) & Refill Interval (Hrs)	Tank Capacity	Refill Interval
Fuel	160	
Adblue	16	
Engine coolant	34	2000
Engine oil	18	500
Transmission oil	45	First 50 / every 1000
Axle & Final drive oil front	18	First 50 / every 1000
Axle & Final drive oil rear	20.5	First 50 / every 1000
Hydraulic oil volume in tank	136	2000
Brake System	4	

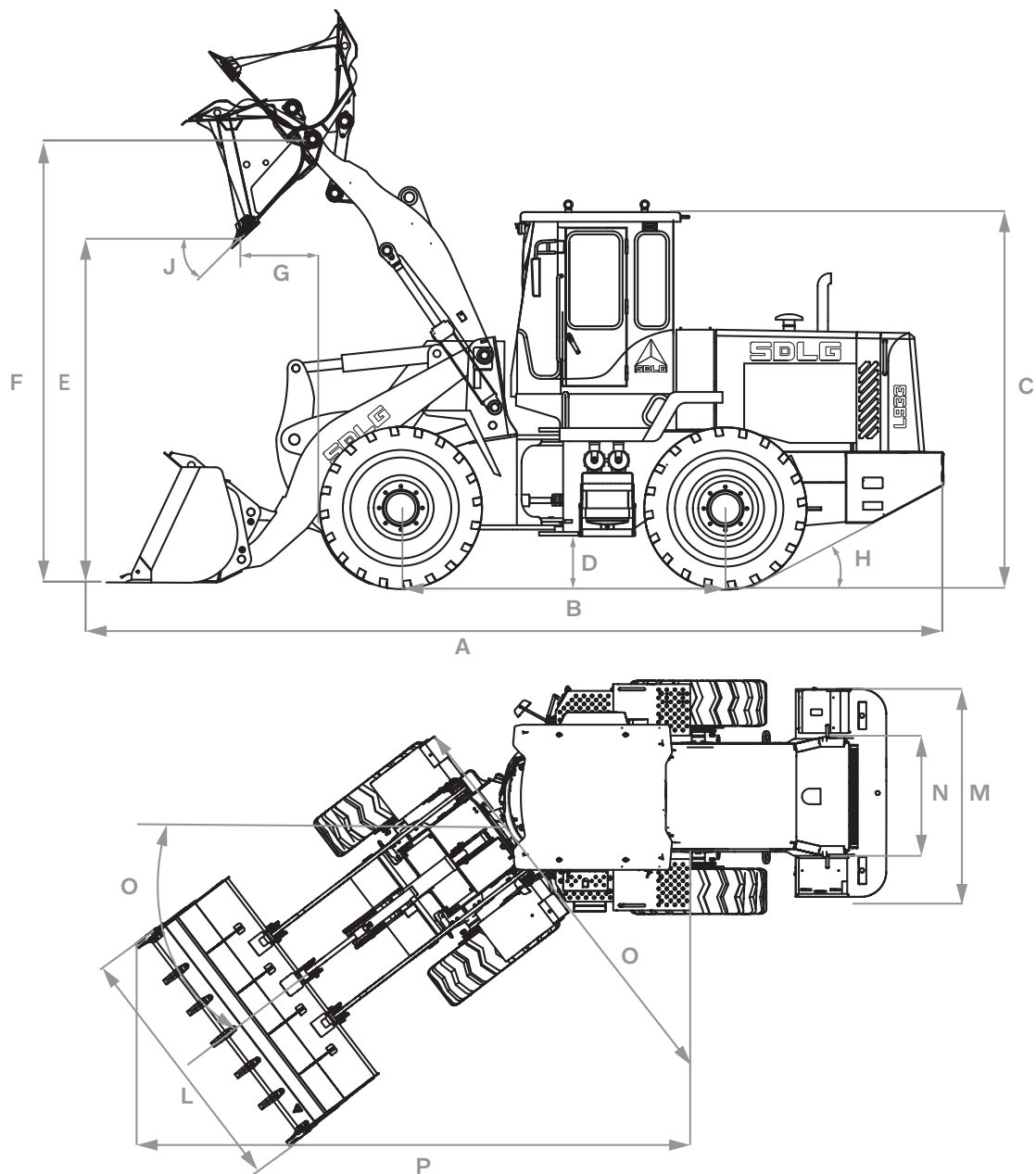
Electrical System	
Voltage	24V
Batteries	2

Cabin	
AC Cabin	Standard
AC	Standard with dual filters
Operator Seat	Mechanical Suspension Seat
Music System	MP3 Player with Bluetooth mobile connection
Seat Belt	Standard

Payload			
Payload Capacity kg	3000	3000	3000
Bucket Volume Heaped ISO/SAE cu.m (HD, GP, LM)	1.5	1.8	3
Volume at 110% Fill Factor m <sup>3</sup>	1.65	1.98	3.3
Operating Weight kg	10529	10300	10586
Breakout Force kN	104	96	75
Static Tipping Load Straight	7370	7600	7105
Static Tipping Load Full Turn	6370	6600	6105
Maximum Tractive Force kN	96	96	96

Noise dB	
Operator Ear Level	80
Pass by noise	105

## Dimensions



Loader Dimension (Bucket Size)	1.5	1.8	3.0
Length A	7130	7150	7240
Width L	2510	2520	2915
Height C	3240	3240	3240
Wheel Base B	2850	2850	2850
Minimum Ground clearance D	375	375	375
Maximum Dump Height E	3005	2950	2790
Maximum Hinge Pin Height F	3790	3790	3790
Maximum Reach G	1005	1050	1215
Dumping Angle J	-45°	-45°	-45°
Bucket roll back at ground level K	45°	45°	45°
Width outside of rear wheel M	2310	2310	2310
Steering angle	36°		
Minimum turning radius outside rear wheels (mm) O	5375	5375	5375
Horizontal crossing radius outside bucket (mm) P		6180	
Gradeability H	30°		
Wheel Tread N		1865	

# SDLG Dealer Network

## India

### Advanced Construction Technologies Pvt. Ltd.

Tamil Nadu, Union Territories of Andaman  
Nicobar Islands, Pondicherry and Lakshadweep  
Dealer Partner: Mr. Siddharth Raman  
Ph: +91 98847 57350  
Email: siddharth.raman@actind.com

### Alpha Teknisk Pvt. Ltd.

Delhi-NCR, Haryana, Uttarakhand  
Dealer Partner: Mr. Manoj Kotru  
Ph: +91 98110 23172  
Email: m.kotru@alphatechnical.in

### Alpha Teknisk Pvt. Ltd.

Uttar Pradesh  
Dealer Partner: Mr. Sarthak Kotru  
Ph: +91 98733 25118  
Email: sarthak@alphatechnical.in

### BSES India Pvt. Ltd.

Southern Rajasthan  
Dealer Partner: Mr. Kedar Singh Rathore  
Ph: +91 98290 41246  
Email: ksathore@bsesindia.com

### DRS Earthwork Pvt. Ltd.

Northern Maharashtra  
Dealer Partners: Mr. Divish Sabhlok  
Ph: +91 98997 93431  
Email: divish.sabhlok@drsgroupindia.com

### Encore Heavy Machinery Pvt. Ltd.

Karnataka  
Dealer Partner: Mr. Vinayak Nayak  
Ph: +91 80 29734009, +91 78999 03813  
Email: vinayak@encorece.in

### ESDEE Solutech

Northern Rajasthan  
Dealer Partner: Mr. O P Dawar  
Ph: +91 96360 76000  
Email: op.dawar@esdeesolutech.net

### Infra Equip Pvt. Ltd

Jharkhand  
Dealer Partner: Mr. Dinesh Pandey  
Mr. Naren Pandey  
Ph: +91 94711 91178, +91 62068 03435,  
+91 97714 72300, +91 70701 92510  
Email: dineshpandey@infraequip.com  
npandey@infraequip.com

### Navin Infrasolutions Pvt. Ltd.

Madhya Pradesh  
Dealer Partners: Mr. Navin Bhandari  
Ms. Seema Bhandari  
Mr. Nilesh Bhandari  
Ph: +91 93000 77300, +91 93025 55002,  
+91 930247 7346, +91 93000 77308  
Email: navinbhandari@navininfra.com  
salesco@navininfra.com  
nileshbhandari@navininfra.com

### PACT Machines Pvt. Ltd.

Kerala  
Dealer Partner: Mr. Siddharth Raman  
Ph: +91 99959 22350  
Email: siddharth.raman@actind.com

### PAL Infrastructure Solutions

Jammu & Kashmir, Himachal Pradesh,  
Punjab and Chandigarh  
Dealer Partner: Mr. Nishant Luthra  
Ph: +91 98110 42580  
Email: nishantluthra@luthragroup.net

### Pollutech Engineering

Orissa  
Dealer Partner: Mr. Dilip Tripathy  
Ph: +91 95830 72667, +91 77350 65864  
Email: dilip@pollutech.in

### Ramanand Power Systems Pvt. Ltd.

Telangana and Andhra Pradesh  
Dealer Partner: Mr. Rama Rao  
Mr. Anand  
Mr. Nagarjuna Mandava  
Ph: +91 98451 50173, 94920 54224  
+91 99909 75051  
Email: sreeram@ramanand.co.in  
anand@ramanand.co.in  
nagarjuna@ramanand.co.in

### Suchita Millennium Projects Pvt. Ltd.

West Bengal, Sikkim and Bihar  
Dealer Partner: Mr. Raghupati Bhuwarka  
Ph: +91 33 2219 7951, 7952/ 3183  
Email: raghupatibhuwarka@suchitagroup.com

### Suchita Earth Moving Solutions

Assam, Tripura, Meghalaya, Nagaland, Mizoram,  
Arunachal Pradesh and Manipur  
Dealer Partner: Ms. Amita Bhuwarka  
Ph: +91 99540 89208  
Email: amitabhhuwarka@suchitagroup.com

### SVP Mining Technologies Pvt. Ltd.

Chattisgarh  
Dealer Partner: Mr. Pramood Patwardhan  
Ph: +91 84350 05500  
Email: pramod@svpgroup.net

### Team Engineers

Southern Maharashtra and Goa  
Dealer Partners: Mr. Ajit Bafna  
Mr. Shridhar Bhat  
Mr. Anand Rajore  
Ph: +91 93701 45680, +91 93701 45660,  
+91 98220 33202  
Email: ajit@teamengineers.co.in  
srb@teamengineers.co.in /  
anand.rajore@teameng.co.in

### West India Equipments Pvt. Ltd.

Gujarat, Dadra & Nagar Haveli and  
Daman & Diu  
Dealer Partner: Mr. Jesal Vora  
Ph: +91 98256 09097, +91 98795 35995  
Email: jesal@westindiaequip.com

## International

### Solution Engineering Ltd.

Bangladesh  
Dealer Partner:  
Mr. Rashed Chowdhury  
Ph: +880 18193 12618  
Email:  
rashed.chowdhury@sel-pti.com.bd

### Riwang Heavy Equipment and Services




Bhutan  
Dealer Partner:  
Mr. Rinzy Wangchuk  
Ph: +97 517111965  
Email: rinzy@riwang.com

### Dax Engineering Co. (Pvt) Ltd.

Sri Lanka  
Dealer Partner:  
Mr. Wijayasinghe SS  
Ph: +94 714273900 /  
+94 714273920  
Email: wije@daxholdings.lk

### Explore Earth Movers Pvt. Ltd.

Nepal  
Dealer Partner:  
Mr. Sushil Shrestha  
Ph: +977 985 1107251  
Email: sushil@exploreintl.com

Connect with us on:    
Whatsapp:  +91 72590 13677

Toll Free: 1800-108-6856  
www.sdlgindia.com

Member of The Volvo Group

