

Reliability in Action

L946H Wheel Loader

Gross Power: 175HP@2000rpm

Operating Weight: 13718KG

Payload: 4000KG

CEV-IV Certified

The best-in-class
productivity, safety
and efficiency.



Technical Specifications

Standard Equipment

Engine	
Make	WEICHAI
Model	WP7G178E502
Type	Electronically controlled CRDI engine
Gross Power hp@2000rpm	175
Maximum Torque Nm@1400rpm	760
Engine exhaust after treatment	DOC + SCR + ASC
Working Modes	3

Transmission	
Make	SDLG
Model	TP170 - 5 Ton capacity Transmission
Torque Converter	Single phase, 4 elements, twin turbine, hydraulic converter
Travel Speed km/hr	Forward Reverse
1 st gear	0~13 0~17
2 nd gear	0~38

Axles	
Make	SDLG make with Dry Disc brakes
Front	Heavy duty axles with 28 ton carrying capacity with planetary hub reduction
Rear	Heavy duty axles with 28 ton carrying capacity with planetary hub reduction

Hydraulic system	
Loader Hydraulic operation	Pilot operated with single Joystick
Pilot System working pressure	3.5MPa
Loader Arm Linkage	Z Bar
Main Pump Type	Gear Pump
Maximum Flow ltrs/min	287L/min
System working pressure Mpa	16

Hydraulic Cycle Time Sec	
Lifting Time (fully loaded)	5.7
Lowering Time (empty)	3.5
Dumping Time (Empty)	1
Total	10.2

Steering System	
Type	Gear pump Full hydraulic load sensing, articulated steering
Working pressure	14

Service & Maintenance	
Air-filter	Dual Air Filters with Turbo Precleaner
Fuel Filters	2
Water Separator	1 with electrical priming motor
Hydraulic Filter	1
Transmission filter	1

Optional Attachments	
HD Bucket m ³	2
LM Bucket m ³	3.5
Precleaner	Oil bath Pre cleaner

Brake System	
Service brake	Air over Hydraulic Disc Brakes with single brake pedal
Parking brake	Electronically controlled Pneumatic caliper disc brake

Tyres	
Front	Size 20.5X25 L3
Rear	20.5X25 L3

System refill capacity (L) & Interval (Hrs)	Tank Capacity	Refill Interval
Fuel	200	
Adblue	16	
Engine coolant	25	2000
Engine oil	22	500
Transmission oil	44	1000
Axle & Final drive oil front	18	1000
Axle & Final drive oil rear	20.5	1000
Hydraulic oil volume in tank	128	2000
Brake System	4	

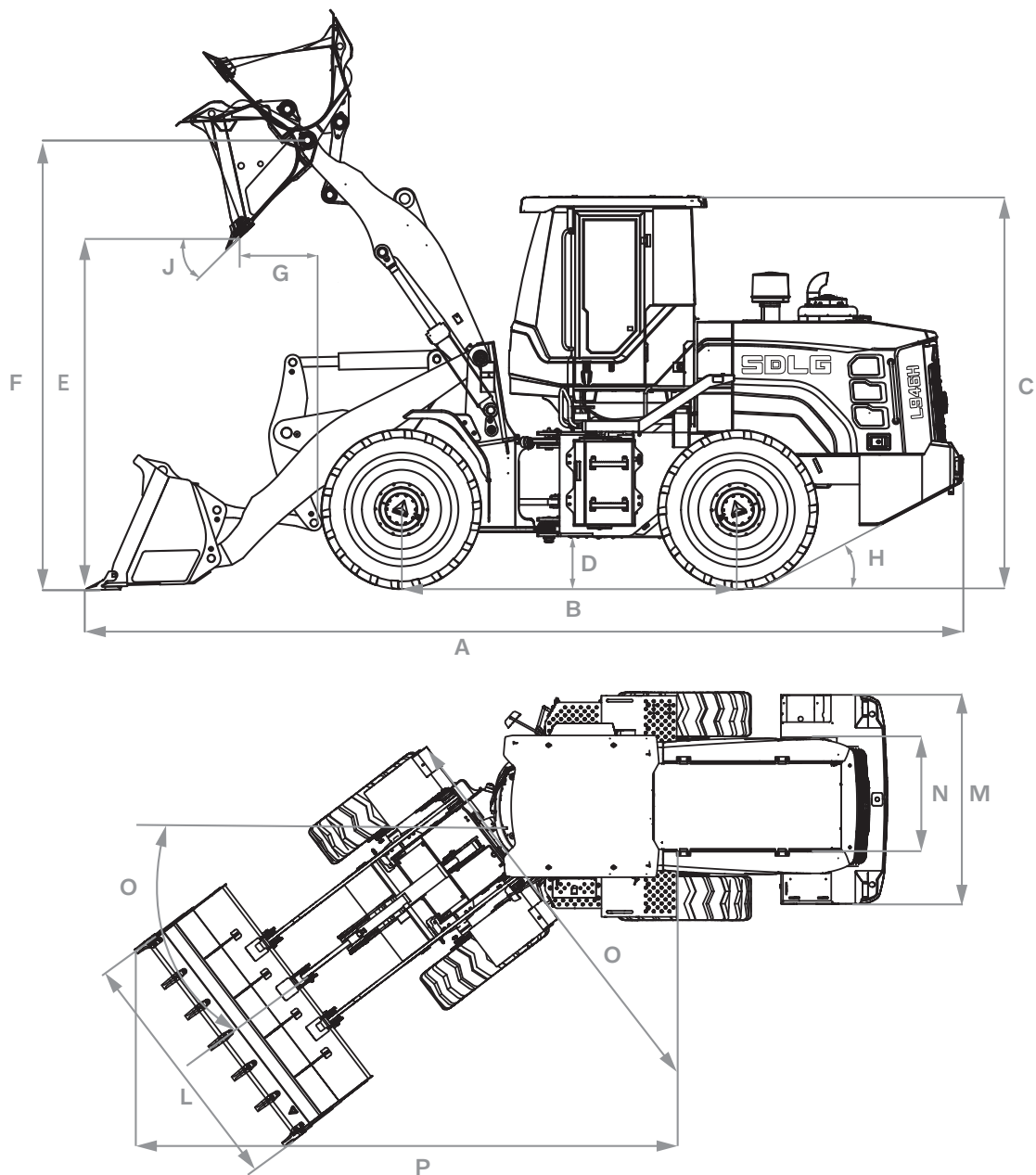
Electrical System	
Voltage	24V
Batteries	2

Cabin	
AC Cabin	Standard
AC	Standard with dual filters
Operator Seat	Mechanical Suspension Seat
Music System	MP3 Player with Bluetooth mobile connection
Seat Belt	Standard

Payload			
Payload Capacity kg	4000	4000	4000
Bucket Volume Heaped ISO/SAE cu.m (HD, GP, LM)	2	2.5	3.5
Volume at 110% Fill Factor m ³	2.2	2.75	3.85
Operating Weight kg	13288	12921	13718
Breakout Force kN	125	119	96
Static Tipping Load Straight	9410	9780	8980
Static Tipping Load Full Turn	7610	7980	8980
Maximum Tractive Force kN	120	120	120

Noise dB	
Operator Ear Level	82
Pass by noise	106

Dimensions



Loader Dimension (Bucket Size)	2	2.5	3.5
Length A	7450	7450	7625
Width L	2810	2766	3016
Height C	3340	3340	3340
Wheel Base B	2880	2880	2880
Minimum Ground clearance D	440	440	440
Maximum Dump Height E	3005	2915	2750
Maximum Hinge Pin Height F	3840	3840	3840
Maximum Reach G	995	10850	1250
Dumping Angle J	-45°	-45°	-45°
Bucket roll back at ground level K	45°	45°	45°
Width outside of rear wheel M	2574	2574	2574
Steering angle		37°	
Minimum turning radius outside rear wheels (mm) O	5275	5275	5275
Horizontal crossing radius outside bucket (mm) P	6115	6115	6115
Gradeability H		30°	
Wheel Tread N	2054	2054	2054

SDLG Dealer Network

India

Advanced Construction Technologies Pvt. Ltd.

Tamil Nadu, Union Territories of Andaman
Nicobar Islands, Pondicherry and Lakshadweep
Dealer Partner: Mr. Siddharth Raman
Ph: +91 98847 57350
Email: siddharth.raman@actind.com

Alpha Teknisk Pvt. Ltd.

Delhi-NCR, Haryana, Uttarakhand
Dealer Partner: Mr. Manoj Kotru
Ph: +91 98110 23172
Email: m.kotru@alphatechnical.in

Alpha Teknisk Pvt. Ltd.

Uttar Pradesh
Dealer Partner: Mr. Sarthak Kotru
Ph: +91 98733 25118
Email: sarthak@alphatechnical.in

BSES India Pvt. Ltd.

Southern Rajasthan
Dealer Partner: Mr. Kedar Singh Rathore
Ph: +91 98290 41246
Email: ksathore@bsesindia.com

DRS Earthwork Pvt. Ltd.

Northern Maharashtra
Dealer Partners: Mr. Divish Sabhlok
Ph: +91 98997 93431
Email: divish.sabhlok@drsgroupindia.com

Encore Heavy Machinery Pvt. Ltd.

Karnataka
Dealer Partner: Mr. Vinayak Nayak
Ph: +91 80 29734009, +91 78999 03813
Email: vinayak@encorece.in

ESDEE Solutech

Northern Rajasthan
Dealer Partner: Mr. O P Dawar
Ph: +91 96360 76000
Email: op.dawar@esdeesolutech.net

Infra Equip Pvt. Ltd

Jharkhand
Dealer Partner: Mr. Dinesh Pandey
Mr. Naren Pandey
Ph: +91 94711 91178, +91 62068 03435,
+91 97714 72300, +91 70701 92510
Email: dineshpandey@infraequip.com
npandey@infraequip.com

Navin Infrasolutions Pvt. Ltd.

Madhya Pradesh
Dealer Partners: Mr. Navin Bhandari
Ms. Seema Bhandari
Mr. Nilesh Bhandari
Ph: +91 93000 77300, +91 93025 55002,
+91 930247 7346, +91 93000 77308
Email: navinbhandari@navininfra.com
salesco@navininfra.com
nileshbhandari@navininfra.com

PACT Machines Pvt. Ltd.

Kerala
Dealer Partner: Mr. Siddharth Raman
Ph: +91 99959 22350
Email: siddharth.raman@actind.com

PAL Infrastructure Solutions

Jammu & Kashmir, Himachal Pradesh,
Punjab and Chandigarh
Dealer Partner: Mr. Nishant Luthra
Ph: +91 98110 42580
Email: nishantluthra@luthragroup.net

Pollutech Engineering

Orissa
Dealer Partner: Mr. Dilip Tripathy
Ph: +91 95830 72667, +91 77350 65864
Email: dilip@pollutech.in

Ramanand Power Systems Pvt. Ltd.

Telangana and Andhra Pradesh
Dealer Partner: Mr. Rama Rao
Mr. Anand
Mr. Nagarjuna Mandava
Ph: +91 98451 50173, 94920 54224
+91 99909 75051
Email: sreeram@ramanand.co.in
anand@ramanand.co.in
nagarjuna@ramanand.co.in

Suchita Millennium Projects Pvt. Ltd.

West Bengal, Sikkim and Bihar
Dealer Partner: Mr. Raghupati Bhuwarka
Ph: +91 33 2219 7951, 7952/ 3183
Email: raghupatibhuwarka@suchitagroup.com

Suchita Earth Moving Solutions

Assam, Tripura, Meghalaya, Nagaland, Mizoram,
Arunachal Pradesh and Manipur
Dealer Partner: Ms. Amita Bhuwarka
Ph: +91 99540 89208
Email: amitabhhuwarka@suchitagroup.com

SVP Mining Technologies Pvt. Ltd.

Chattisgarh
Dealer Partner: Mr. Pramood Patwardhan
Ph: +91 84350 05500
Email: pramod@svpgroup.net

Team Engineers

Southern Maharashtra and Goa
Dealer Partners: Mr. Ajit Bafna
Mr. Shridhar Bhat
Mr. Anand Rajore
Ph: +91 93701 45680, +91 93701 45660,
+91 98220 33202
Email: ajit@teamengineers.co.in
srb@teamengineers.co.in /
anand.rajore@teameng.co.in

West India Equipments Pvt. Ltd.

Gujarat, Dadra & Nagar Haveli and
Daman & Diu
Dealer Partner: Mr. Jesal Vora
Ph: +91 98256 09097, +91 98795 35995
Email: jesal@westindiaequip.com

International

Solution Engineering Ltd.

Bangladesh
Dealer Partner:
Mr. Rashed Chowdhury
Ph: +880 18193 12618
Email:
rashed.chowdhury@sel-pti.com.bd

Riwang Heavy Equipment and Services




Bhutan
Dealer Partner:
Mr. Rinzy Wangchuk
Ph: +97 517111965
Email: rinzy@riwang.com

Dax Engineering Co. (Pvt) Ltd.

Sri Lanka
Dealer Partner:
Mr. Wijayasinghe SS
Ph: +94 714273900 /
+94 714273920
Email: wije@daxholdings.lk

Explore Earth Movers Pvt. Ltd.

Nepal
Dealer Partner:
Mr. Sushil Shrestha
Ph: +977 985 1107251
Email: sushil@exploreintl.com

Connect with us on:  
Whatsapp:  +91 72590 13677

Toll Free: 1800-108-6856
www.sdlgindia.com

Member of The Volvo Group

