

Reliability in Action

L958H Wheel Loader

Gross Power: 230HP@2100rpm

Operating Weight: 18770KG

Payload: 5500KG

CEV-IV Certified

The power-packed performer.



Technical Specifications

Standard Equipment

Engine

Make	Weichai		
Model	WP7G234E501		
Type	Electronically controlled CRDI engine		
Gross power @ 2100 rpm	230 hp		
Maximum torque Nm@ 1400 rpm	1000		
Engine exhaust after treatment	DOC + SCR + ASC		
Working modes	3		

Transmission

Make	SDLG		
Model	VRT205		
Torque Converter	Single phase, 3 elements, twin turbine, hydraulic converter		
Travel Speed	km/hr Forward Reverse		
1st gear	0 ~ 6.7	0 ~ 6.8	
2nd gear	0 ~12.4	0 ~ 12.5	
3rd gear	0 ~25.9	0 ~ 26.1	
4th gear	0 ~ 38	0 ~38.2	
Kick Down function	Standard		

Axes

Make	SDLG make with dry Disc brakes		
Front	A515 Series heavy duty axles with 36 ton carrying capacity and Planetary hub reduction		
Rear	A515 Series heavy duty axles with 36 ton carrying capacity and Planetary hub reduction		

Hydraulic system

Loader Hydraulic operation	Pilot operated with single Joystick		
Pilot System working pressure	3.5MPa		
Loader Arm Linkage	Z Bar		
Main Pump Type	Gear Pump		
Maximum Flow ltrs/min	287L/min		
System working pressure Mpa	16		

Hydraulic Cycle Time Sec

Lifting time (Fully Loaded)	5.7		
Lowering time (Empty)	3.1		
Dumping time (Empty)	1.2		
Total	10		

Steering System

	Two section gear pump		
Type	Full hydraulic load sensing, articulated steering		
Working pressure Mpa	16		
Maximum Flow ltrs/min	112/10		

Service & Maintenance

Air-filter	Dual Air Filters with Turbo Precleaner		
Fuel Filters	2		
Water Separator	1 with electrical priming motor		
Hydraulic Filter	1		
Transmission filter	1		

Optional Attachments

HD Bucket m ³	2.7		
LM Bucket m ³	5		
Side Dump Bucket m ³	3		
Log Grapple	Available		
Pallet Fork	Available		
Pre cleaner	Oil bath pre cleaner		

Brake system

Service brake	Air over hydraulic disc brakes with single brake pedal		
Parking brake	Electronically controlled Pneumatic caliper disc brake		

Tyres

	Size		
Front	23.5X25 L3		
Rear	23.5X25 L3		

System refill capacity (L) & Refill Interval (hrs)

	Tank Capacity	Refill Interval
Fuel	300	
Adblue	30	
Engine coolant	38	2000
Engine oil	24	500
Transmission oil	24.5	1000
Axle & Final drive oil front	30	1000
Axle & Final drive oil rear	30	1000
Hydraulic oil volume in tank	220	2000

Electrical system

Electrical system	4		
Voltage	24V		
Batteries	2		

Cabin

ROPS /FOPS compliant	Standard		
AC	Standard with dual filters		
Operator seat	Mechanical suspension seat		
Music system	MP3 Player with Bluetooth mobile connection		
Seat Belt	Standard		

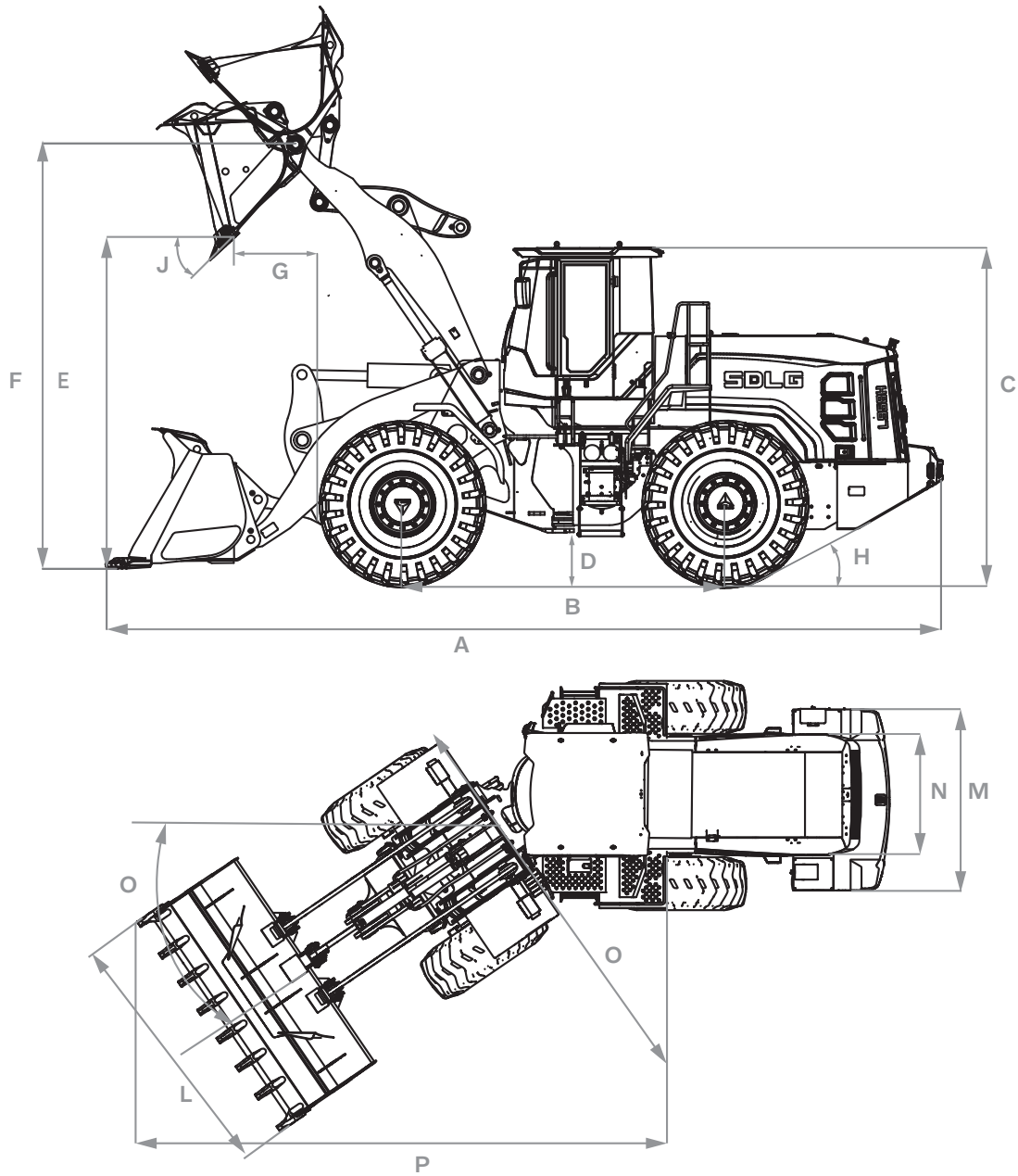
Payload capacity kg

	5500	5500	5500
Bucket Volume Heaped ISO/SAE cu.m (HD, GP, LM)	2.7	3.2	5
Volume at 110% Fill Factor cu.m	2.97	3.52	5.5
Operating weight kg	18510	18250	18770
Breakout force kN	175	170	140
Static tipping load straight	11540	11800	11280
Static tipping load full turn	9940	10200	9680
Maximum Tractive force kN	160	160	160

Noise dB

Operator Ear Level	78		
Pass by Noise	107		

Standard Equipment



Loader Dimension (Bucket Size)	2.7	3.2	5
Length A	8730	8730	8830
Width L	3093	3024	3170
Height C	3410	3410	3410
Wheel Base B	3300	3300	3300
Minimum Ground Clearance D	420	420	420
Maximum Dump Height E	3500	3500	3300
Maximum Hinge Pin Height F	4540	4540	4540
Maximum Reach G	1130	1130	1400
Dumping Angle J	-45°	-45°	-45°
Bucket Roll back at Ground level K	450	450	450
Width outside of rear wheel M	2785	2785	2785
Steering angle	38°	38°	38°
Minimum turning radius outside rear wheel (mm) O	5890	5890	5890
Horizontal crossing radius outside bucket (mm) P	6910	6910	6910
Gradeability H	30°	30°	30°
Wheel Tread	2190	2190	2190

SDLG Dealer Network

India

Advanced Construction Technologies Pvt. Ltd.

Tamil Nadu, Union Territories of Andaman
Nicobar Islands, Pondicherry and Lakshadweep
Dealer Partner: Mr. Siddharth Raman
Ph: +91 98847 57350
Email: siddharth.raman@actind.com

Alpha Teknisk Pvt. Ltd.

Delhi-NCR, Haryana, Uttarakhand
Dealer Partner: Mr. Manoj Kotru
Ph: +91 98110 23172
Email: m.kotru@alphatechnical.in

Alpha Teknisk Pvt. Ltd.

Uttar Pradesh
Dealer Partner: Mr. Sarthak Kotru
Ph: +91 98733 25118
Email: sarthak@alphatechnical.in

BSES India Pvt. Ltd.

Southern Rajasthan
Dealer Partner: Mr. Kedar Singh Rathore
Ph: +91 98290 41246
Email: ksathore@bsesindia.com

DRS Earthwork Pvt. Ltd.

Northern Maharashtra
Dealer Partners: Mr. Divish Sabhlok
Ph: +91 98997 93431
Email: divish.sabhlok@drsgroupindia.com

Encore Heavy Machinery Pvt. Ltd.

Karnataka
Dealer Partner: Mr. Vinayak Nayak
Ph: +91 80 29734009, +91 78999 03813
Email: vinayak@encorece.in

ESDEE Solutech

Northern Rajasthan
Dealer Partner: Mr. O P Dawar
Ph: +91 96360 76000
Email: op.dawar@esdeesolutech.net

Infra Equip Pvt. Ltd

Jharkhand
Dealer Partner: Mr. Dinesh Pandey
Mr. Naren Pandey
Ph: +91 94711 91178, +91 62068 03435,
+91 97714 72300, +91 70701 92510
Email: dineshpandey@infraequip.com
npandey@infraequip.com

Navin Infrasolutions Pvt. Ltd.

Madhya Pradesh
Dealer Partners: Mr. Navin Bhandari
Ms. Seema Bhandari
Mr. Nilesh Bhandari
Ph: +91 93000 77300, +91 93025 55002,
+91 930247 7346, +91 93000 77308
Email: navinbhandari@navininfra.com
salesco@navininfra.com
nileshbhandari@navininfra.com

PACT Machines Pvt. Ltd.

Kerala
Dealer Partner: Mr. Siddharth Raman
Ph: +91 99959 22350
Email: siddharth.raman@actind.com

PAL Infrastructure Solutions

Jammu & Kashmir, Himachal Pradesh,
Punjab and Chandigarh
Dealer Partner: Mr. Nishant Luthra
Ph: +91 98110 42580
Email: nishantluthra@luthragroup.net

Pollutech Engineering

Orissa
Dealer Partner: Mr. Dilip Tripathy
Ph: +91 95830 72667, +91 77350 65864
Email: dilip@pollutech.in

Ramanand Power Systems Pvt. Ltd.

Telangana and Andhra Pradesh
Dealer Partner: Mr. Rama Rao
Mr. Anand
Mr. Nagarjuna Mandava
Ph: +91 98451 50173, 94920 54224
+91 99909 75051
Email: sreeram@ramanand.co.in
anand@ramanand.co.in
nagarjuna@ramanand.co.in

Suchita Millennium Projects Pvt. Ltd.

West Bengal, Sikkim and Bihar
Dealer Partner: Mr. Raghupati Bhuwarka
Ph: +91 33 2219 7951, 7952/ 3183
Email: raghupatibhuwarka@suchitagroup.com

Suchita Earth Moving Solutions

Assam, Tripura, Meghalaya, Nagaland, Mizoram,
Arunachal Pradesh and Manipur
Dealer Partner: Ms. Amita Bhuwarka
Ph: +91 99540 89208
Email: amitabhhuwarka@suchitagroup.com

SVP Mining Technologies Pvt. Ltd.

Chattisgarh
Dealer Partner: Mr. Pramood Patwardhan
Ph: +91 84350 05500
Email: pramod@svpgroup.net

Team Engineers

Southern Maharashtra and Goa
Dealer Partners: Mr. Ajit Bafna
Mr. Shridhar Bhat
Mr. Anand Rajore
Ph: +91 93701 45680, +91 93701 45660,
+91 98220 33202
Email: ajit@teamengineers.co.in
srb@teamengineers.co.in /
anand.rajore@teameng.co.in

West India Equipments Pvt. Ltd.

Gujarat, Dadra & Nagar Haveli and
Daman & Diu
Dealer Partner: Mr. Jesal Vora
Ph: +91 98256 09097, +91 98795 35995
Email: jesal@westindiaequip.com

International

Solution Engineering Ltd.

Bangladesh
Dealer Partner:
Mr. Rashed Chowdhury
Ph: +880 18193 12618
Email:
rashed.chowdhury@sel-pti.com.bd

Riwang Heavy Equipment and Services




Bhutan
Dealer Partner:
Mr. Rinzy Wangchuk
Ph: +97 517111965
Email: rinzy@riwang.com

Dax Engineering Co. (Pvt) Ltd.

Sri Lanka
Dealer Partner:
Mr. Wijayasinghe SS
Ph: +94 714273900 /
+94 714273920
Email: wije@daxholdings.lk

Explore Earth Movers Pvt. Ltd.

Nepal
Dealer Partner:
Mr. Sushil Shrestha
Ph: +977 985 1107251
Email: sushil@exploreintl.com

Connect with us on:  
Whatsapp:  +91 72590 13677

Toll Free: 1800-108-6856
www.sdlgindia.com

Member of The Volvo Group

